

Nantucket Window Box Instructions

MIS020 r3

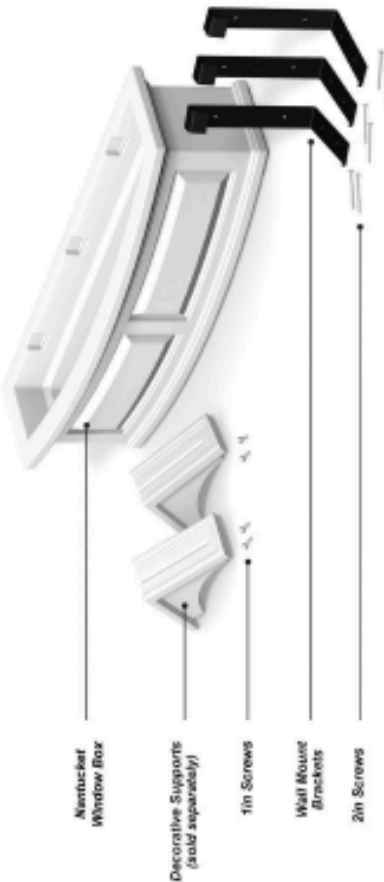


PACKAGE CONTENTS: Nantucket Window Box, Steel Wall Mount Brackets (2 for 2FT, 3 for 3ft, 4 for 4ft, and 4 for 5ft), and 2 in screws (2 screws per wall mount bracket)

DIMENSIONS: 11.7"D x 10.2"H x (2', 3', 4', or 5' Lengths)

IMPORTANT NOTE:

- Do not overload the patio planters. Lightweight fillers and potting mixes are recommended.



- Tools Required:**
- Phillips Drill Bit
 - Phillips Drill
 - Level
 - Tape Measure

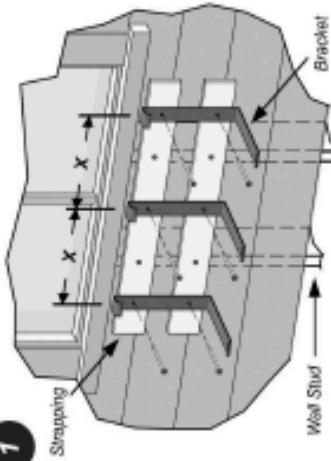
General Information:

- Read instructions carefully before beginning assembly.
- The Nantucket window boxes are suitable for flowers, herbs, vegetables, and small plants.
- To clean the product use standard house hold cleaners, for best results use a power washer.
- The molded polyethylene construction is designed to withstand cold temperatures but you may wish to winter store the planter in a shed or garage to offer the best protection from extreme cold.
- Wall mount brackets include screws for general mounting applications; however when installing on brick and concrete, masonry screws or anchors are required.

In the event of missing or defective parts, please email info@gomayne.com or call our customer service department toll free at 866-363-8634 (available Monday through Friday, 8am-5pm EST).

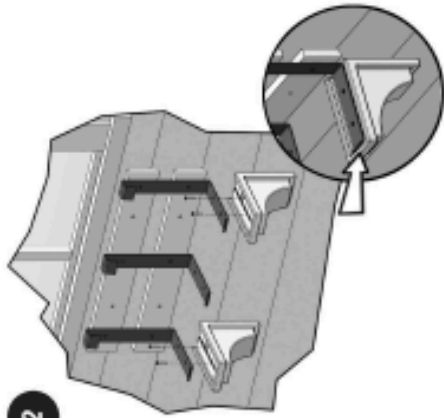
MAYNE
Outdoor Products of Distinction
www.gomayne.com

1



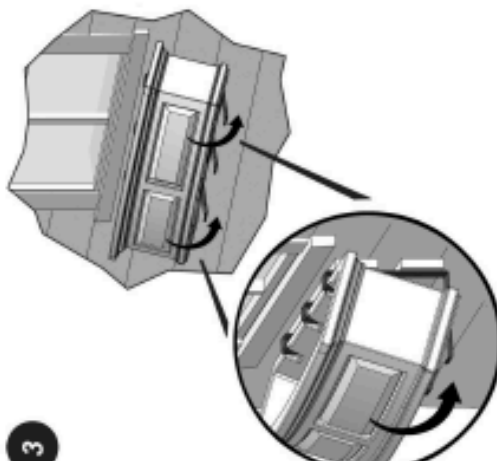
Secure the brackets to the wall using the screws provided. For concrete or brick installations masonry fasteners are recommended (not included). For installation on siding we recommend the use of strapping to add extra strength (shown above). Fasten the boards to the studs and then attach the wall mount brackets to the boards as shown above. Bracket spacing varies for each size of window box:
 2 Foot Window Box - 2 brackets @ 12" spacing (on center)
 3 Foot Window Box - 3 brackets @ 10" spacing (on center)
 4 Foot Window Box - 3 brackets @ 16" spacing (on center)
 5 Foot Window Box - 4 brackets @ 14" spacing (on center)

2



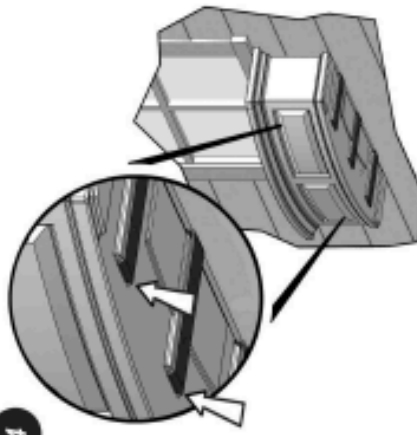
Optional Decorative Brackets (sold separately). Secure the decorative brackets to the bottom of the wall mount brackets using two 1 inch screws. The front lip of wall mount bracket should sit flush against the inside face of the decorative bracket (indicated by the arrow). The molded brackets are only decorative so there is no need to over tighten the screws.

3



Tip the planter box into the brackets as illustrated ensuring the lips of the brackets fit into the molded grooves.

4



The molded feet on the bottom of the planter should sit flush on the wall mount brackets. Ensure the front edge of each footing is properly seated. If the front lip of the bracket isn't catching the foot on the planter remove the window box and bend the bracket upward slightly. Reattach the window box to test the fit.