

4

3

2

1

D

D

C

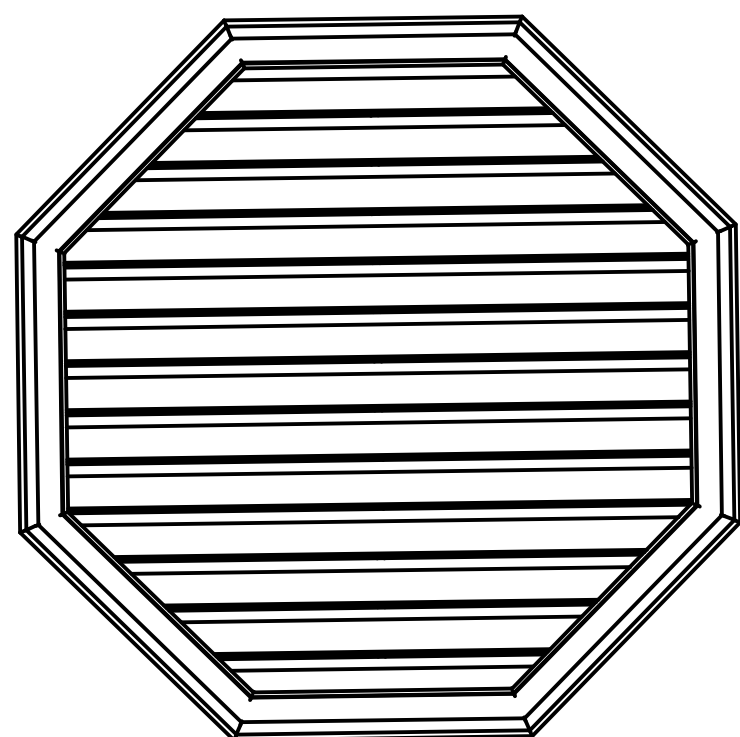
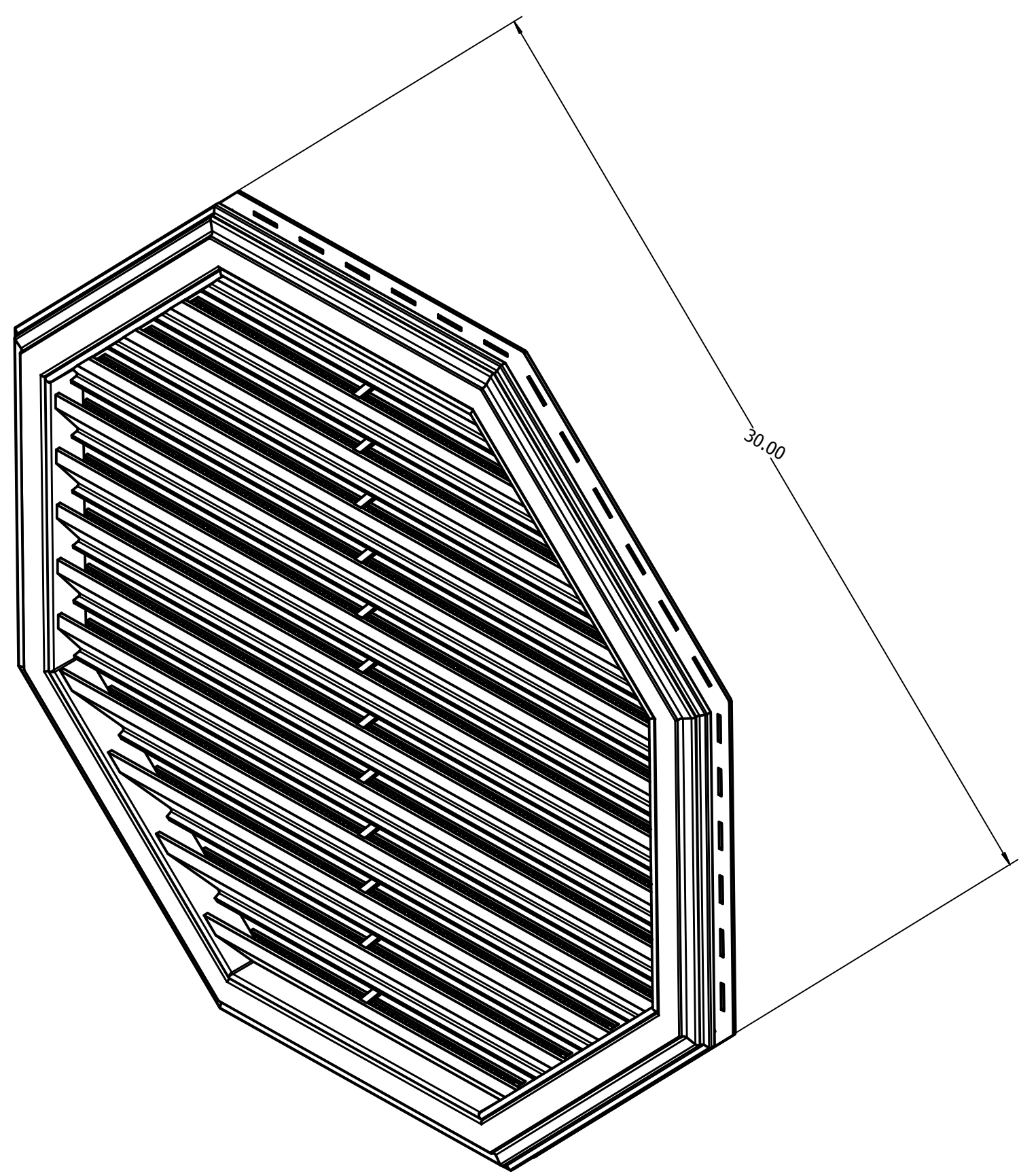
C

B

B

A

A



DRAWN Mike	11/11/2016			
CHECKED		TITLE		
QA				
MFG				
APPROVED				
		SIZE C	DWG NO	REV
		SCALE	SHEET 1 OF 1	

4

3

2

1

