

Fairfield

Model # 5829

Fairfield 28in Tall Planter



DESCRIPTION

Have the look of wood without the upkeep with our high-grade polyethylene planters. Long-lasting beauty, durability and quality. Built-in water reservoir encourages healthy plant growth by allowing plants to practically water themselves.

- Single wall molded design with removable tray
- Self watering tray insert creates sub-irrigation water system
- Weather resistant, low maintenance material
- 100% high-grade polyethylene planter with UV inhibitors
- Warranty: 15-Yr Residential Use / 5-Yr Commercial Use

PRODUCT DIMENSIONS

Outside Dimensions: 16in L x 16in W x 28.3in H (40.6cm x 40.6cm x 71.8cm)

Inside Dimensions: 11in L x 11in W x 14.1in D (27.9cm x 27.9cm x 35.9cm)

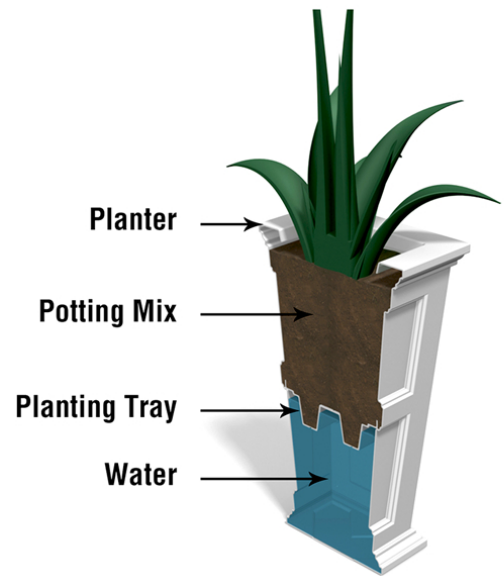
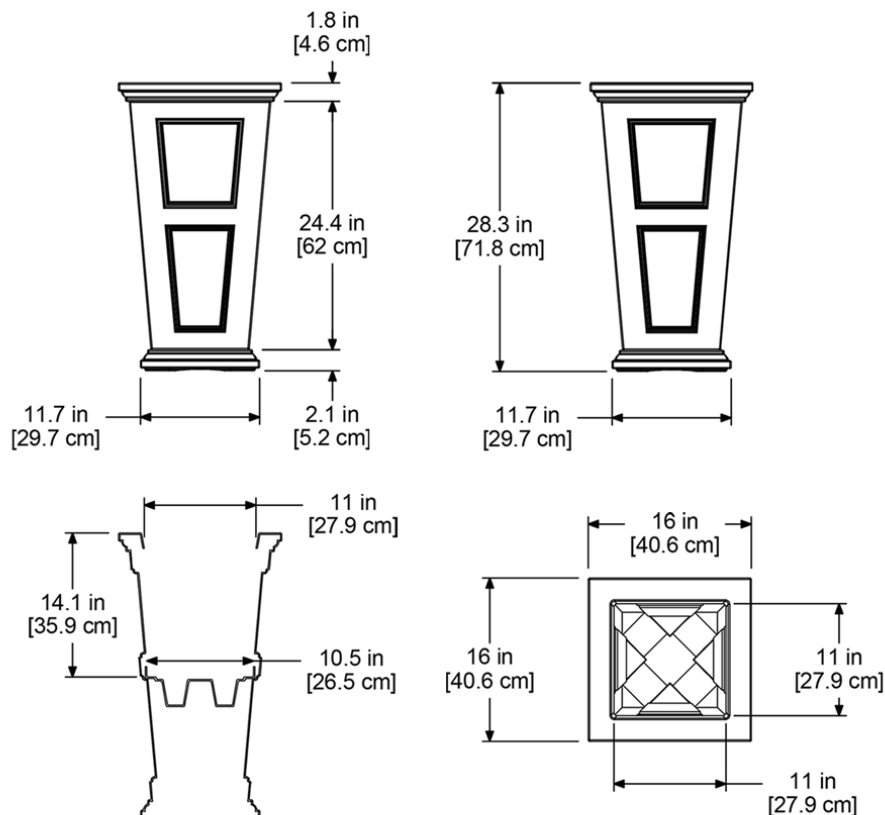
Soil Capacity: 8 Gallons (30 Liters)

Water Reservoir Capacity: 6.5 Gallons (24.6 Liters)

Wall Thickness: 0.15in (3.8mm)

Part Weight: 10lbs (4.5kg)

Material: Polyethylene



MAYNE[®]
Outdoor Products of Distinction

7024 Kilbourne Rd - Unit A London, ON N6P 1K6
Tel: 866-363-8834 | www.gomayne.com
customerservice@gomayne.com