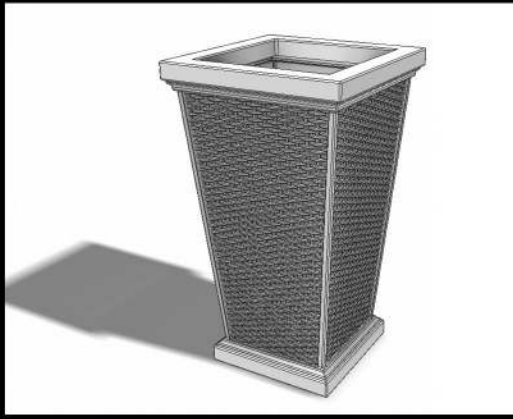


Wellington 28in Tall Planter *Model 5863*

MIS055



PACKAGE CONTENTS: 1x Wellington Tall Planter

COLOUR: Black, Espresso, or White

MATERIAL: Polyethylene

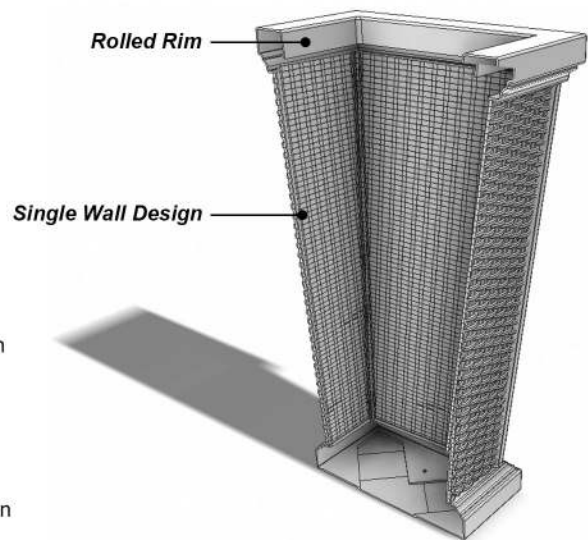
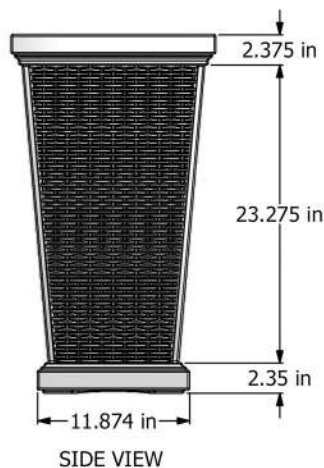
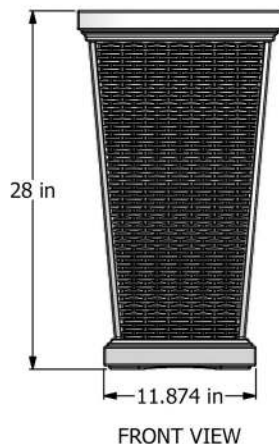
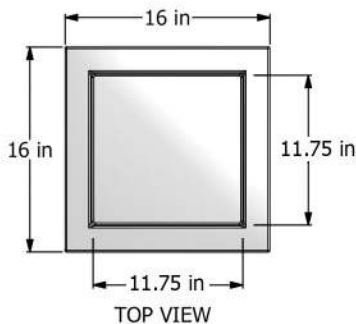
IMPORTANT NOTE:

- Drainage holes are not pre-drilled allowing the planters to be used indoors. For outdoor use drainage holes need to be drilled. See instructions on the reverse side for more details.
- Mayne planters are very durable but we still recommend lightweight fillers and potting mixes for optimal plant growth.

In the event of missing or defective parts, please email customerservice@gomayne.com or call our customer service department toll free at **866-363-8834** (available Monday through Friday, 8am-5pm EST).

General Information:

- Read instructions carefully before planting
- For the best results when cleaning use a soap solution and high-pressure water
- The molded polyethylene construction is designed to withstand cold temperatures but you may wish to winter store the planter in a shed or garage to offer the best protection from extreme cold.

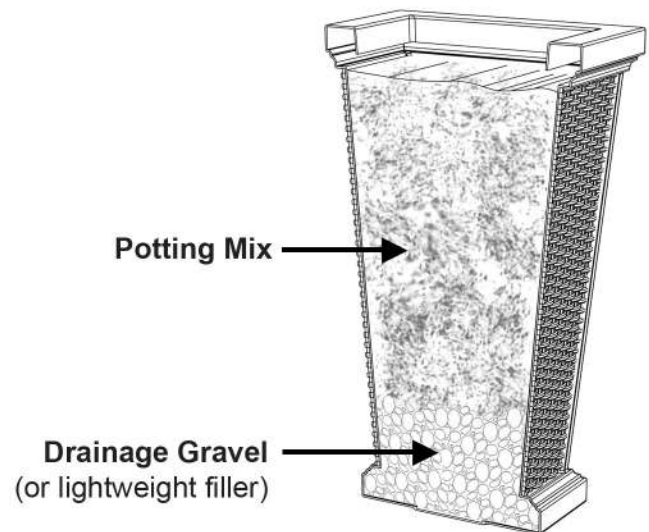


Made In the USA
15-Year Limited Warranty

MAYNE[®]
Outdoor Products of Distinction
www.gomayne.com

Potting Recommendations:

We strongly recommend the use of a good quality potting mix. This will help with drainage and aeration promoting healthier plant growth and root development. For smaller plants or shrubs you can minimize the amount of potting mix required by filling the bottom section of the planter with 8 to 10 inches of drainage gravel. Some other filler suggestions include lava rock, mulch, wood chips, empty plastic containers, or pop cans (open side down). This will encourage better drainage and help recycle unwanted materials.



Indoor Use:

The Wellington Tall planter does not come with any pre-drilled drainage holes to allow for indoor use.

Outdoor Use:

For outdoor use, drill two 3/4 inch drainage holes in the marked locations to provide proper overflow of excess water. Failing to drill drainage holes may cause oversaturation of the planted goods and in some cases may cause bowing or bulging of the planter walls.

