

Fairfield Window Box Instructions

(part #s 5822, 5823, 5824)

MIS006 r4

General Information:

- Read instructions carefully before beginning assembly.
- Identify each component from material list.
- Do not use excessive force when assembling components.
- To clean this product, for best results use a soap solution and high-pressure water.
- The molded polyethylene construction is designed to withstand cold temperatures but you may wish to winter store the planter in a shed or garage to offer the best protection from extreme cold.
- Wall mount brackets include screws for general mounting applications; however when installing on brick and concrete, masonry screws or anchors are required.

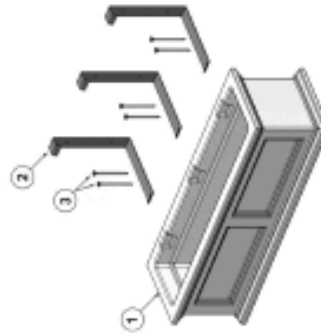
Missing or defective parts? Call our customer service department toll free at 866-363-8834. (Monday through Friday, 8am-5pm EST)

Materials List:

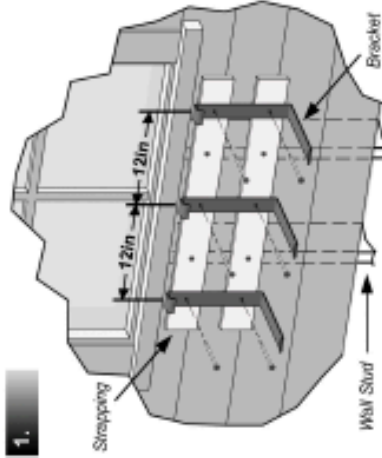
Part # Description

- | | |
|---|---|
| 1 | Decorative Window Planter (36in, 48in, or 60in length) |
| 2 | Wall Mount Brackets |
| 3 | #8 x 2.5in steel screw (2 screws included with each bracket) |

Tools Required:

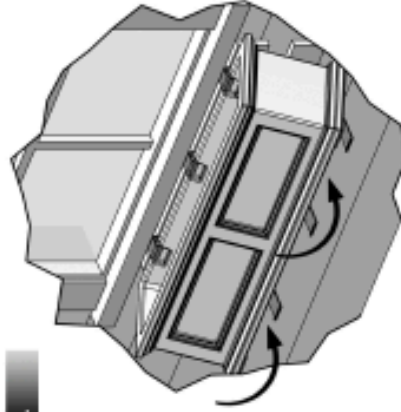


1.



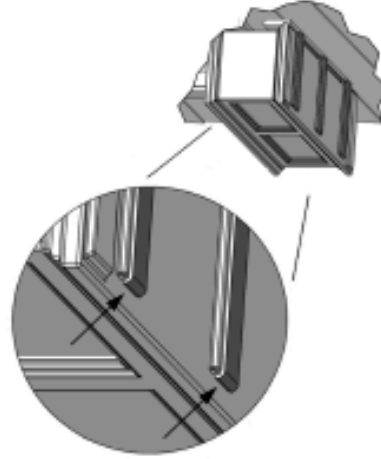
Install each bracket (part 2) using two screws (part 3), the required spacing is 12 inches on center. This is important to ensure the brackets line up properly with the planter. For installation on siding we recommend the use of strapping. Fasten the boards to the studs for extra strength. When installing into brick or concrete we recommend using masonry screws available at your local hardware store.

2.



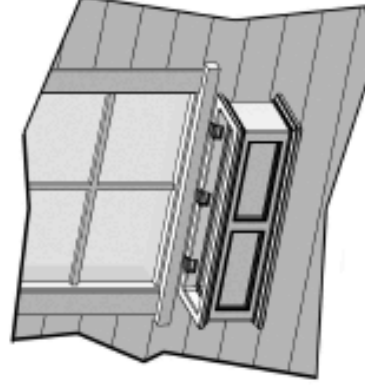
Tip the planter box into the brackets as illustrated ensuring the lips of the brackets fit into the molded grooves.

3.



The molded feet on the bottom of the planter should sit flush on the brackets. Ensure that the front edge of each footing is seated properly against the lip on the bracket. It may be necessary to bend the bracket upward slightly to create a tighter fit.

4.



Fairfield 3FT Window Box completed installation.

MAYNE®
Outdoor Products of Distinction
www.gomayne.com

IMPORTANT NOTE:

- Do not overload the window boxes. Lightweight filler and potting mixes are recommended and yield better plant growth. Best suited for flowers, herbs, or small plants.